

REVOLUTION POWER
FASTER THAN YOU CAN IMAGINE



VM MOTOR
www.vmmotor.com

Catalogue VM 125 M 02/B

VM 125 M 02/B

Manufacturer:

Vladimír Vácha – VM MOTOR
Sedláčkova 2570
397 01 Písek
Czech Republic

Tel.: 382 215 434

Fax: 382 215 434

E-mail: vmmotor@iol.cz

Web.: www.vmmotor.com

Technical information:

Tighten a screws and nuts of engine

<u>Description</u>	<u>kg/m</u>
Screw M 5	0,9
Screw M 6	1,1
Screw M 10	4,0
Nut M 8	2,3
Nut ignition	4,0
Nut primary wheel	4,0 (loctite 270)
Nut bullet clutch	4,0 (loctite 242e)

Oil change in gearbox: 0,5 l, rec. manufacturer: AUTOMATIK TRANSMISSION DEXTRON III

Running up of engine: 5 – 7 l petrol

Engine	Pre-ignition	Slot
VM 125 M 02/B	PVL 1,5 před HU	1,10 – 1,15

Space cylinder – pistone: 0,070
(**check slot** when you change pistone)

Change con-rod every 100 l petrol. Manufacturer recommended this type of oil: ELF HTX 909/ELF HTX 976 in the rate of 1:25

Needle roller bearing of piston pin and piston change every 50 l.

Caution:

**Engine is supplied entirely for racing and is not hence under guarantee.
Deprecation civil or punishable responsibility for using engine.**

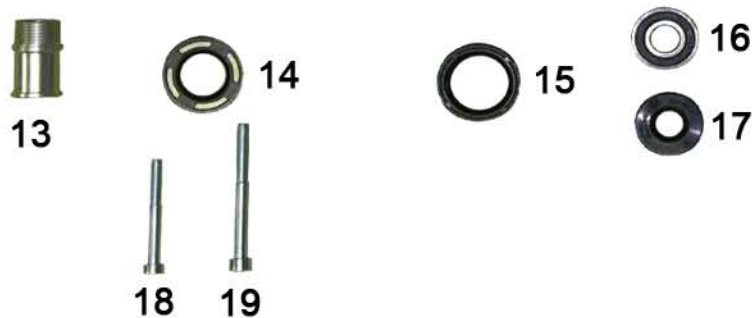
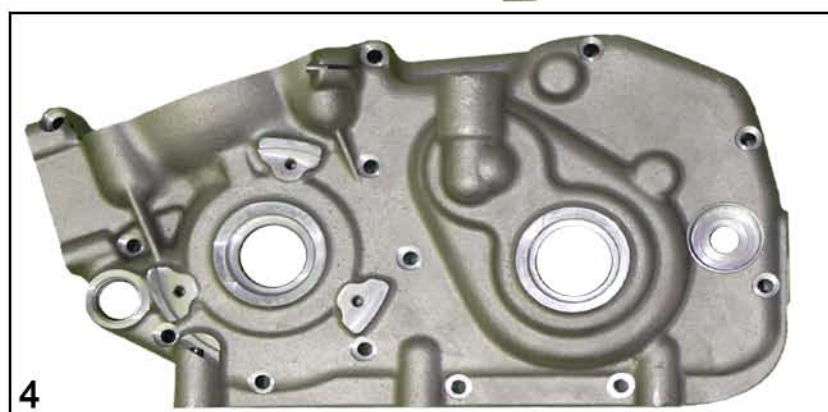
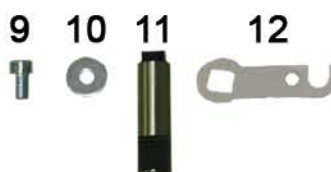
USED ONLY ORIGINAL SPARE PARTS VM .

IN ORDERING OF SPARE PARTS PLEASE USE ENCLOSED ORDER FORM

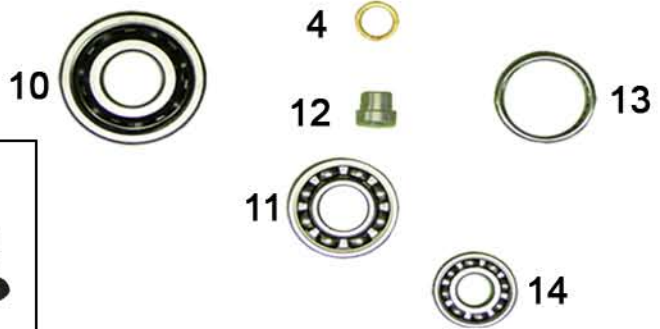
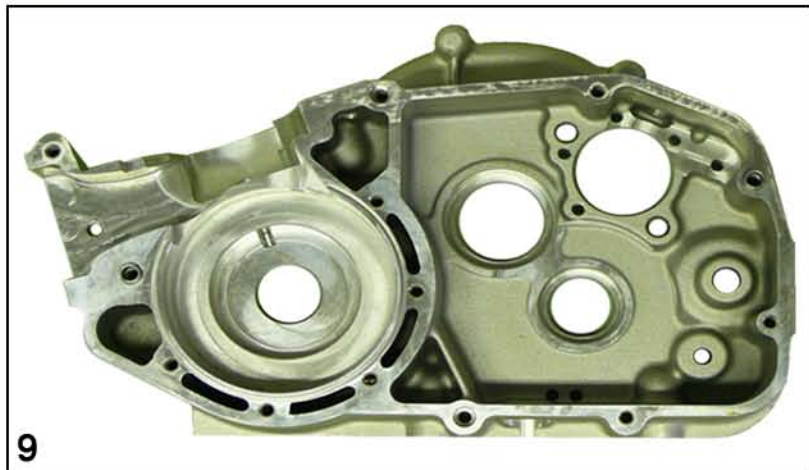
Schedule:

- Crankcase – left part.....1
- Crankcase – right part.....3
- Gear selector.....5
- Crank shaft.....7
- Cylinder.....9
- Clutch.....11
- Clutch cover.....13
- Reeds valve.....15
- Primary shaft.....17
- Secondary shaft.....19
- Ignition.....21
- Exhaust.....23
- Engine bracket.....23
- Carburettor.....25

Crankcase - left part



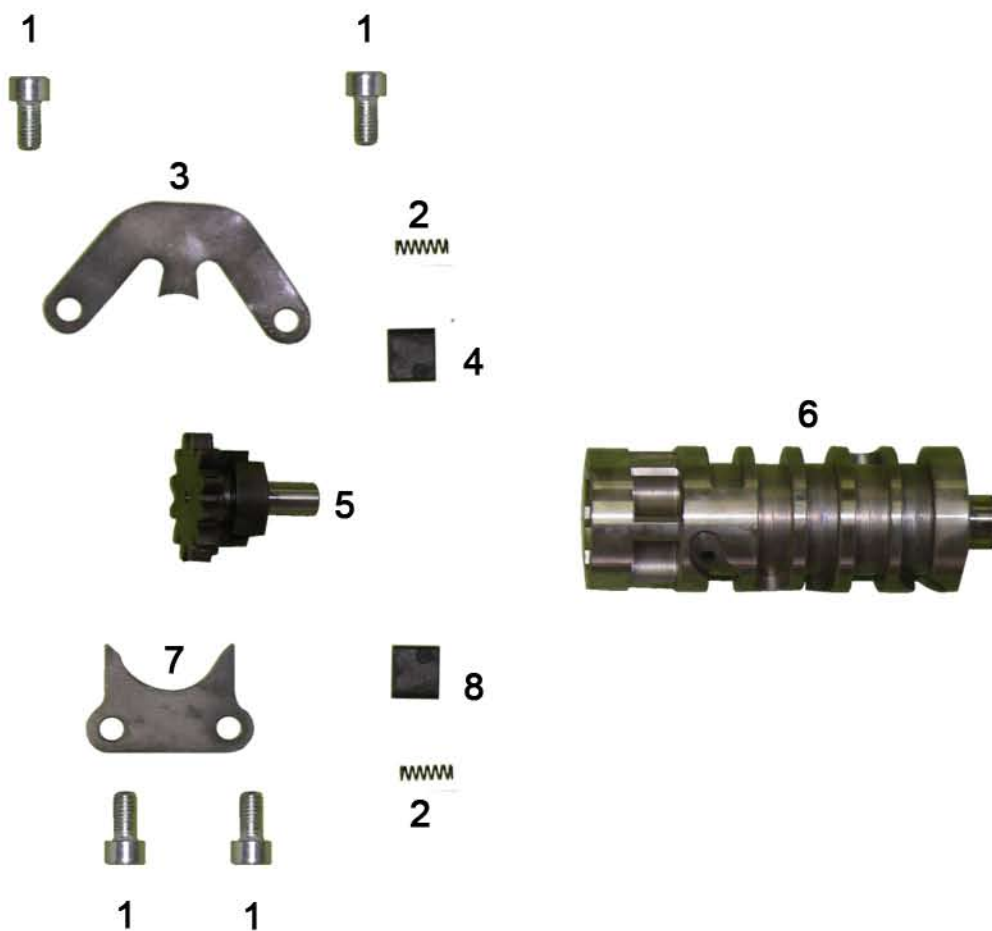
Crankcase - right part



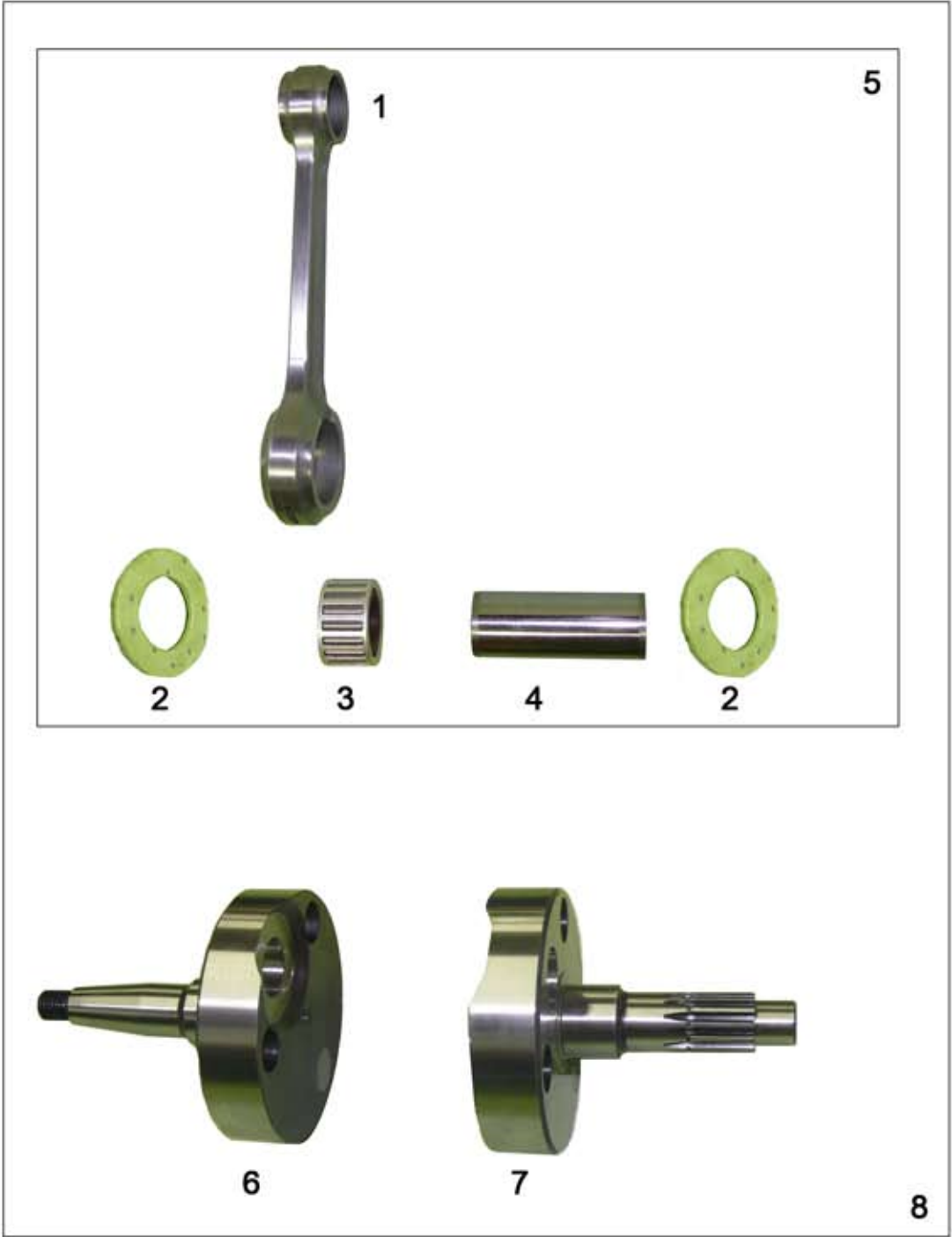
Crankcase, right part

Position	Part no.	Description	Qty	Price
1.	VM 00028	Cylinder head stud	1	2,10 €
2.	VM 00448	Bushing	2	2,30 €
3.	VM 00197	Screw detent - oil breather	1	2,00 €
4.	VM 00216	Seal ring alloy	1	0,30 €
5.	VM 00196	Spring detent	1	1,90 €
6.	VM 00195	Lever detent	1	4,80 €
7.	VM 00048	Cartridge lever detent	1	1,60 €
8.	VM 00187	Screw	6	0,50 €
9.	VM 00214 + 215	Engine case complete	pair	427,00 €
10.	VM 00002	Bearing	1	19,90 €
11.	VM 00003	Bearing	1	8,00 €
12.	VM 00029	Oil filler screw	1	2,60 €
13.	VM 00058	Bearing	1	8,60 €
14.	VM 00004	Bearing	1	6,00 €
15.	VM 00092	Nut		0,90 €
16.	VM 00030	Shim	1	0,15 €
17.	VM 00211	Excentric shaft shifting assembly	1	2,70 €
18.	VM 00054	Spacer	1	0,95 €
19.	VM 00053	Return spring for shifter shaft	1	2,30 €
20.	VM 00200	Shifter shaft complete	1	21,00 €
21.	VM 00164	Shifting lever	1	12,50 €
22.	VM 00024	Screw		0,50 €
23.	VM 00170	Pin	1	1,20 €
24.	VM 00006	Seal	1	9,90 €
25.	VM 00060	Venting screw	1	1,70 €
26.	VM 00033	Seal ring alloy	1	0,30 €

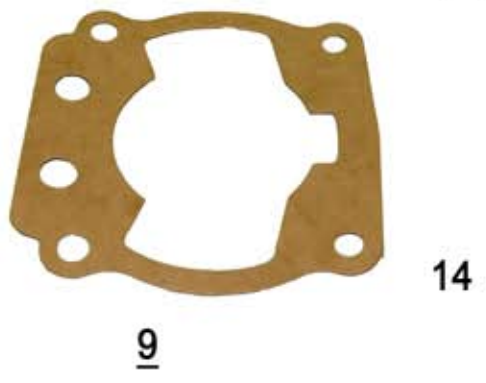
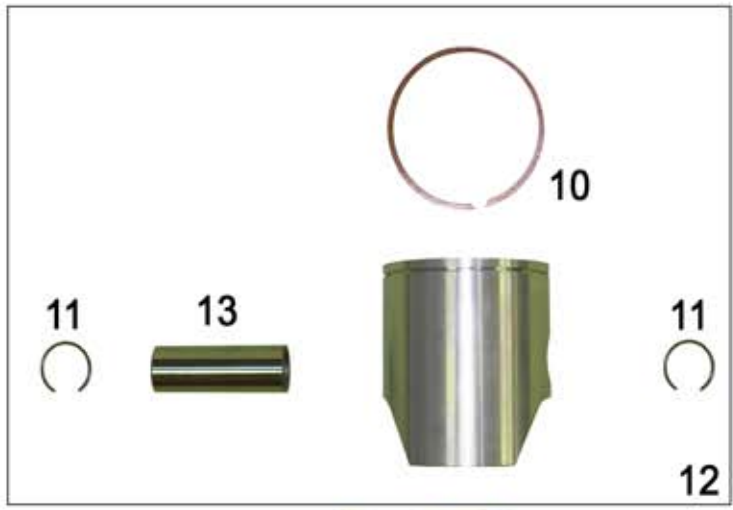
Gear selector



Crank shaft



Cylinder



Cylinder

Position	Part no.	Description	Qty	Price
1.	VM 00199	Screw	8	0,60 €
2.	VM 00289	Cylinder head	1	129,00 €
3.	VM 00305	O - Ring	1	1,85 €
4.	VM 00099	O - Ring	1	1,50 €
5.	VM 00425	Copper gasket head 0,05		3,85 €
5.	VM 00426	Copper gasket head 0,1		3,85 €
5.	VM 00427	Copper gasket head 0,2		3,85 €
5.	VM 00428	Copper gasket head 0,3		3,85 €
5.	VM 00429	Copper gasket head 0,5		3,85 €
6.	VM 00102	Nut	4	0,60 €
7.	VM 00286	Cylinder	1	435,00 €
8.	VM 00207	Screw	3	0,55 €
9.	VM 00287	Exhaust manifold	1	15,60 €
10.	VM 00119	Piston ring	1	16,90 €
11.	VM 00121	Piston pin clip	2	0,60 €
12.	VM 00294	Piston 53.93	1	69,10 €
12.	VM 00295	Piston 53.94		69,10 €
12.	VM 00296	Piston 53.95		69,10 €
12.	VM 00297	Piston 53.96		69,10 €
13.	VM 00122	Piston pin		7,80 €
14.	VM 00281	Cylinder base gasket 0,2 mm		1,40 €
14.	VM 00282	Cylinder base gasket 0.3 mm		1,40 €
14.	VM 00279	Cylinder base gasket 0.4 mm		1,40 €
14.	VM 00280	Cylinder base gasket 0.5 mm		1,40 €

Clutch



1



2



3



4



5



6



7



8



9



10



11



12

14



13

15



17

16



18

21



20



22



19



23

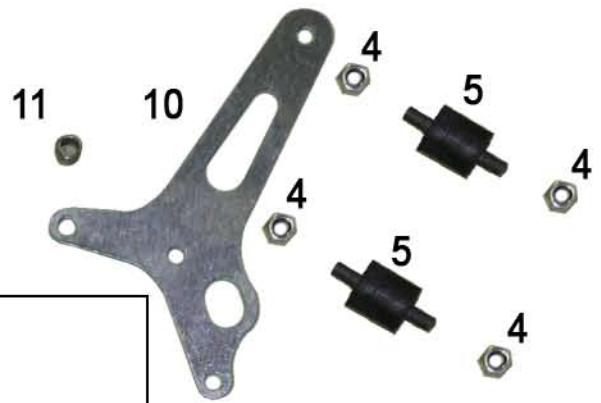


24

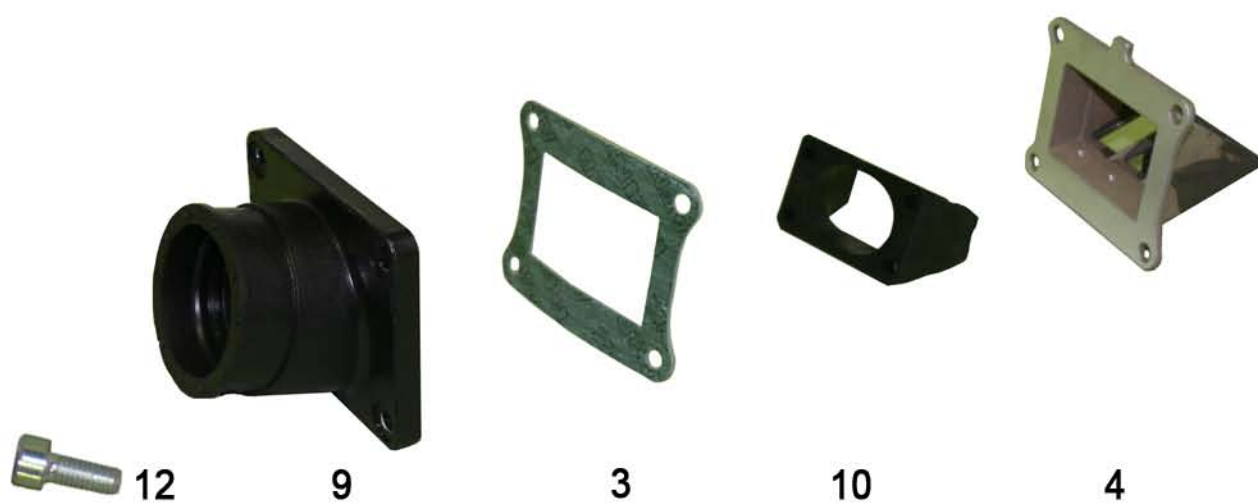
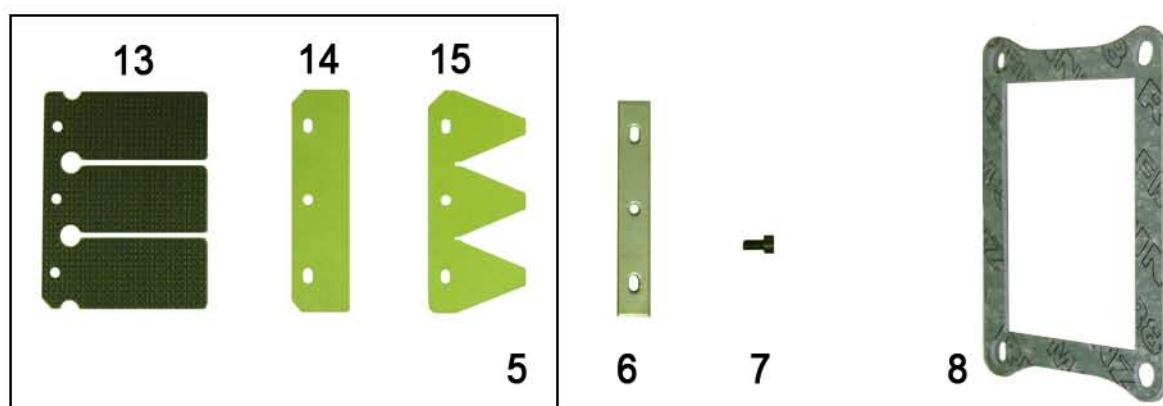
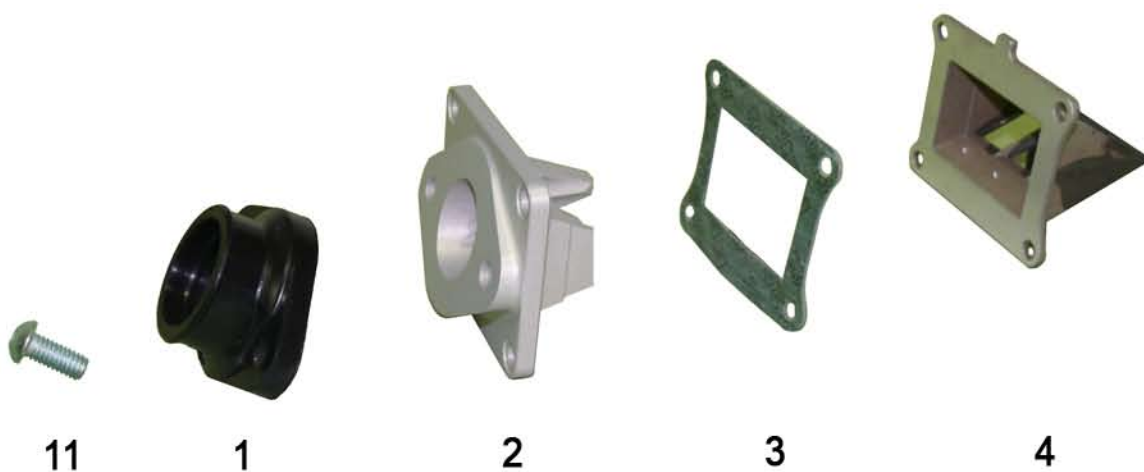
Clutch

Position	Part no.	Description	Qty	Price
1.	VM 00218	Clutch carrier	1	63,00 €
2.	VM 00113	Nut	1	1,15 €
3.	VM 00075	Friction disc	5	7,00 €
4.	VM 00074	Disc lower	4	2,80 €
5.	VM 00086	Screw	5	1,80 €
6.	VM 00087	Clutch spring	5	1,10 €
7.	VM 00076	Clutch pressure plate	1	49,20 €
8.	VM 00163	Shim	1	1,80 €
9.	VM 00078	Bearing	1	5,90 €
10.	VM 00077	Pin	1	1,90 €
11.	VM 00079	Circlip	1	0,35 €
12.	VM 00205	Clutch bell housing	1	69,00 €
13.	VM 00219	Shim cartridge wheel clutch	1	2,40 €
14.	VM 00069	Primary wheel big	1	76,00 €
15.	VM 00217	Pin	3	0,90 €
16.	VM 00187	Screw	6	0,50 €
17.	VM 00283	Bearing	1	8,40 €
18.	VM 00431	Bearing	1	9,80 €
19.	VM 00206	Damper gear	1	46,00 €
20.	VM 00220	Shim cartridge clutch	1	2,45 €
21.	VM 00207	Screw	6	0,55 €
22.	VM 00091	Damper rubber gear	6	0,90 €
23.	VM 00278	Primary wheel	1	26,10 €
24.	VM 00204	Absorber gear plate	1	4,30 €

Clutch cover



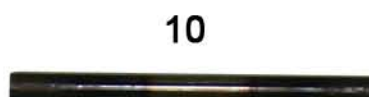
Reeds valve



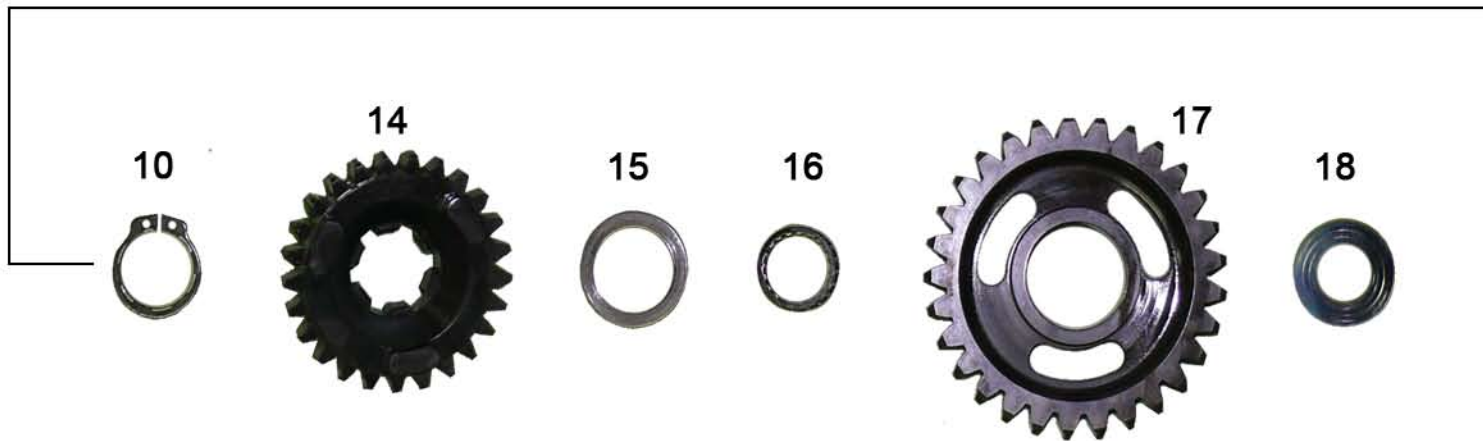
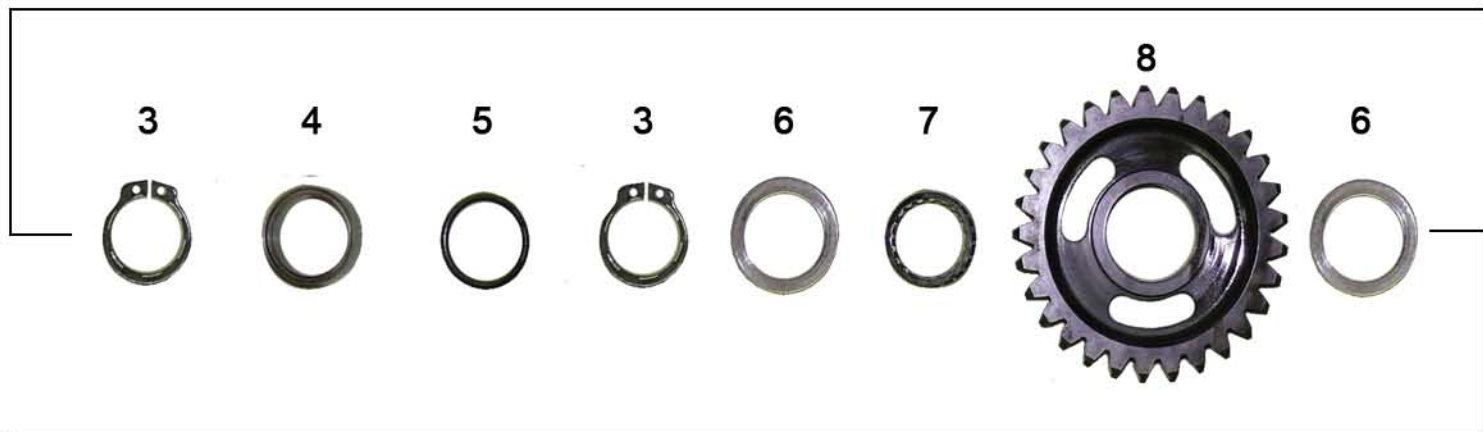
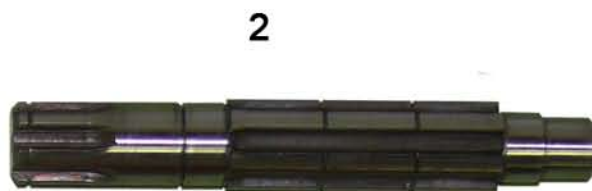
Reeds valve

Position	Part no.	Description	Qty	Price
1.	VM 00424	Intake rubber manifold	1	23,40 €
2.	VM 00430	Induction manifold	1	51,00 €
3.	VM 00360	Gasket of induction manifold	1	2,85 €
4.	VM 00171	Reed box	1	40,20 €
5.	VM 00034	Membrane set 0,45	1	65,00 €
5.	VM 00450	Membrane set 0,40		70,00 €
5.	VM 00451	Membrane set 0,38		70,00 €
5.	VM 00452	Membrane set 0,36		70,00 €
5.	VM 00453	Membrane set 0,34		70,00 €
6.	VM 00179	Membrane sheet	2	1,10 €
7.	VM 00185	Screw	6	0,30 €
8.	VM 00173	Gasket of reed box	1	2,60 €
9.	VM 00172	Intake rubber manifold	1	32,00 €
10.	VM 00012	Reed box stuffing	1	4,90 €
11.	VM 00434	Screw	2	0,80 €
12.	VM 00187	Screw	4	0,50 €
13.	VM 00457	Membrane	pair	52,00 €
14.	VM 00458	Membrane washer	pair	10,00 €
15.	VM 00459	Shape washer	pair	15,80 €

Primary shaft



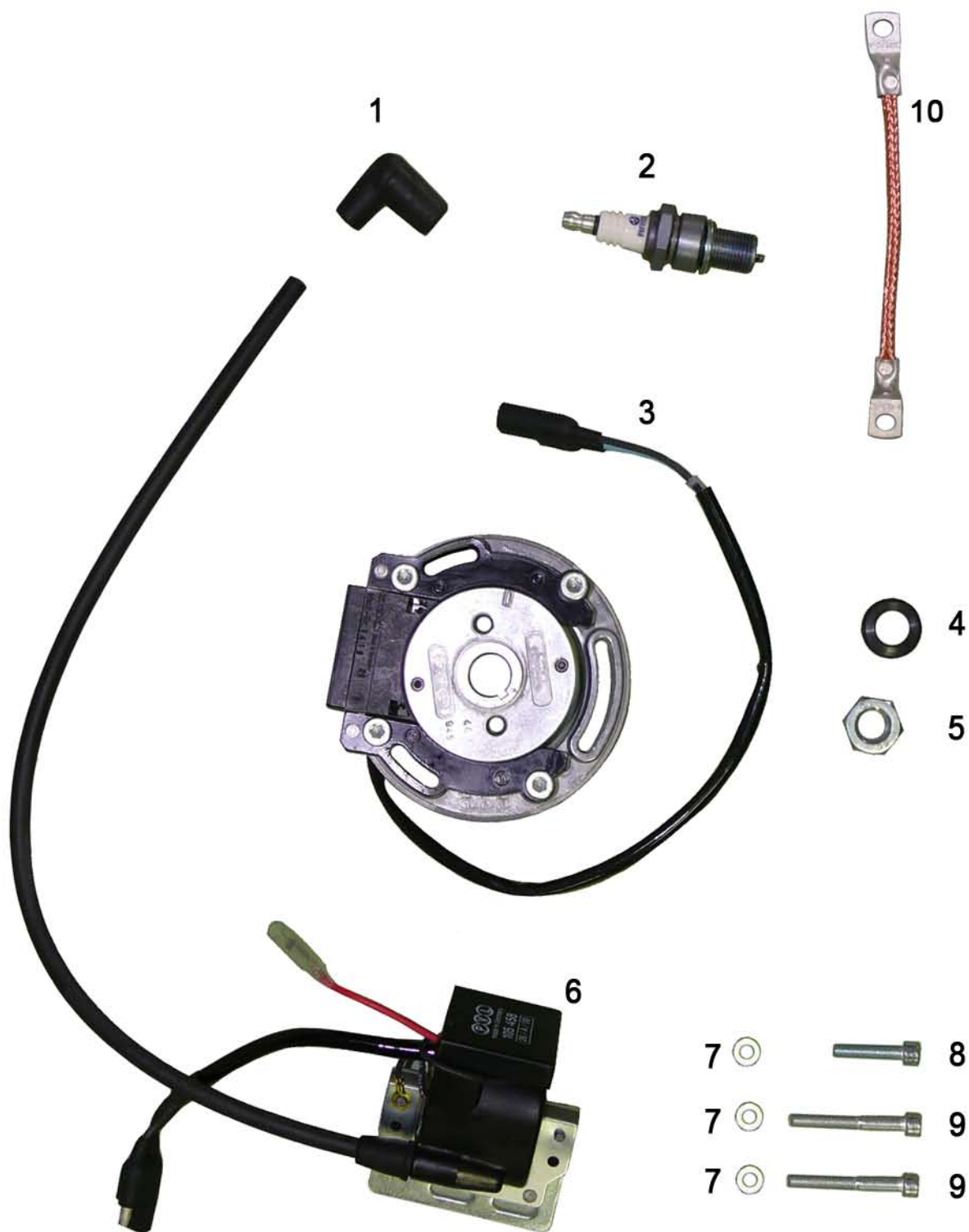
Secondary shaft



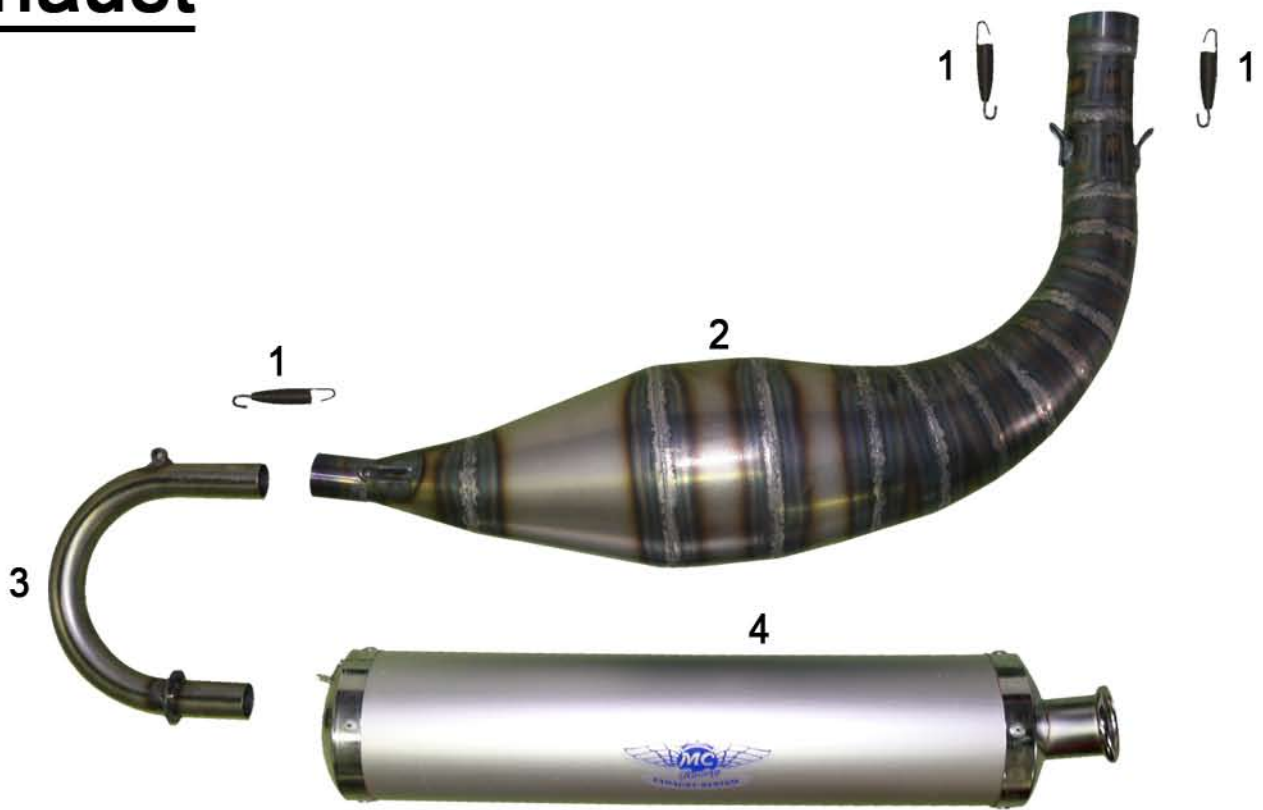
Secondary shaft

Position	Part no.	Description	Qty	Price
1.	VM 00141	Sprocket wheel z 15		13,50 €
1.	VM 00142	Sprocket wheel z 16		13,50 €
1.	VM 00143	Sprocket wheel z 17	1	13,50 €
1.	VM 00144	Sprocket wheel z 18		15,20 €
1.	VM 00145	Sprocket wheel z 19		16,20 €
2.	VM 00124	Secondary shaft	1	29,70 €
3.	VM 00137	Circlip	2	0,35 €
4.	VM 00139	Spacer	1	2,85 €
5.	VM 00138	O - Ring	1	1,20 €
6.	VM 00135	Shim	2	0,50 €
7.	VM 00084	Needle snap bearing	1	4,70 €
8.	VM 00136	2nd secondary gear	1	27,10 €
9.	VM 00188	6th secondary gear	1	29,20 €
10.	VM 00130	Circlip	2	0,35 €
11.	VM 00131	Toothed shim	2	0,70 €
12.	VM 00133	4th secondary gear	1	30,70 €
13.	VM 00132	3rd secondary gear	1	30,70 €
14.	VM 00189	5th secondary gear	1	30,20 €
15.	VM 00128	Shim	1	0,90 €
16.	VM 00127	Needle snap bearing	1	4,70 €
17.	VM 00125	1st secondary gear	1	29,10 €
18.	VM 00126	Shim	1	0,50 €

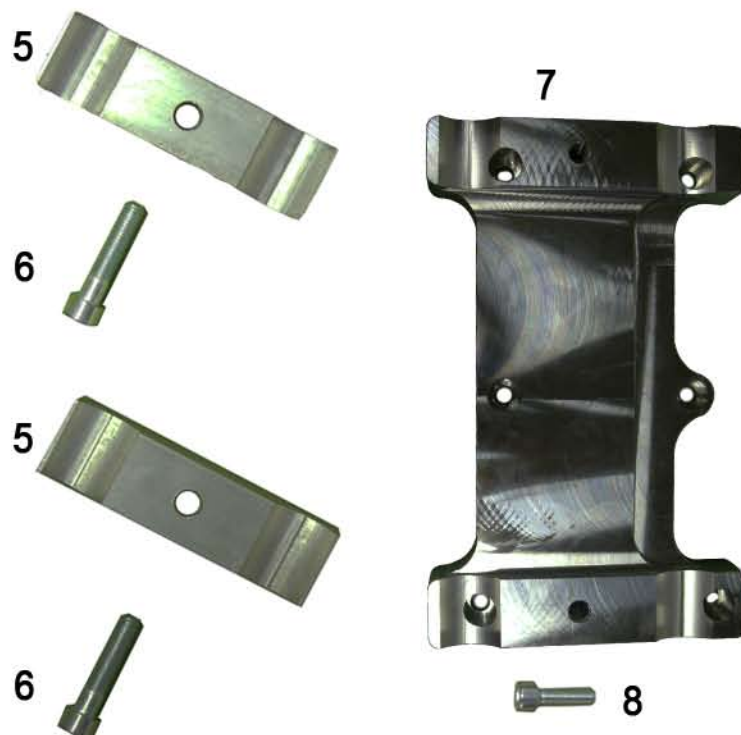
Ignition



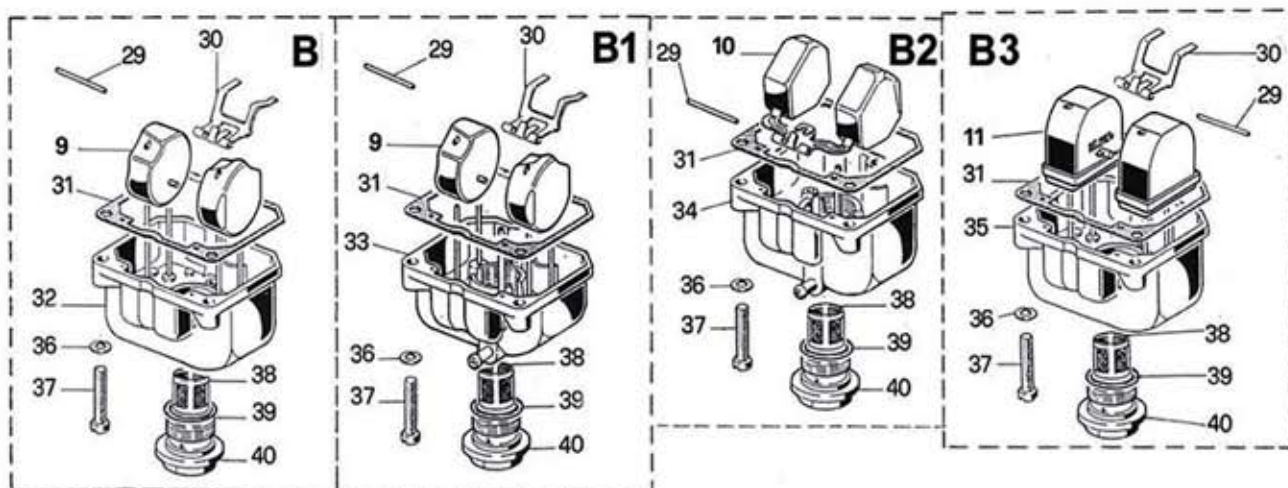
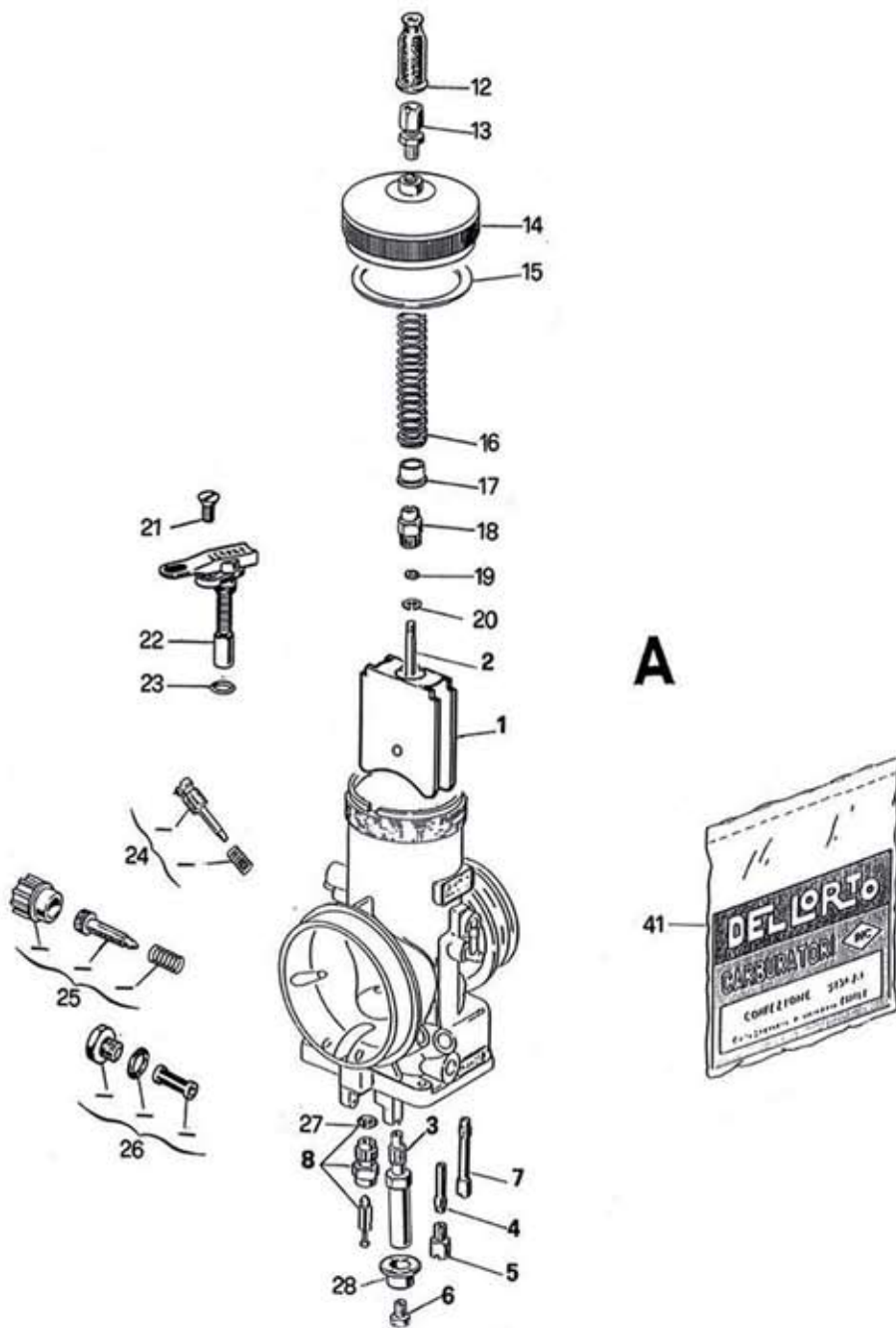
Exhaust



Engine bracket



VHSH 30 CS Carburettor



VHSH 30 CS Carburettor

position	Part No.	Description	Qty	Price
1.	16314 x 64	Slide - valve		
2.	9713 x 08	Needle		
3.	12539 x 28	Chimney		
4.	13086 x 02	Emulsion tube		
5.	12995 x 02	Jet		
6.	6413 x 02	Jet main		
7.	6217 x 33	Jet idling		
8.	8649 x 33	Needle valve		
9.	9794 x 80	Float		
12.	14050 - 06	Sleeve		
13.	8931 - 37	Screw		
14.	16309 - 53	Plug		
15.	----	Gasket		
16.	16344 - 61	Spring		
17.	14416 - 52	Spring sleeve		
18.	16311 - 04	Slip - on		
19.	10825 - 23	Shim needle		
20.	9896 - 21	Circlip needle		
21.	11752 - 36	Screw		
22.	8294 - 64	Choke lever		
23.	----	Gasket		
24.	53091 - 78	Kit		
25.	53090 - 78	Kit		
26.	53089 - 78	Kit		
27.	----	Gasket		
28.	12546 - 52	Slip - on		
29.	12692 - 22	Pin		
30.	10544 - 26	Bracket		
31.	----	Gasket		
32.	13042 - 96	Float bottom		
33.	13330 - 96	Float bottom		
34.	14414 - 96	Float bottom		
35.	14415 - 96	Float bottom		
36.	4957 - 23	Shim		
37.	14858 - 36	Screw		
38.	11957 - 29	Filter		
39.	----	Gasket		
40.	16316 - 34	Plug		
41.	52611 - 77	Gasket (set)		
42.		Carburettor VHSH 30CS		